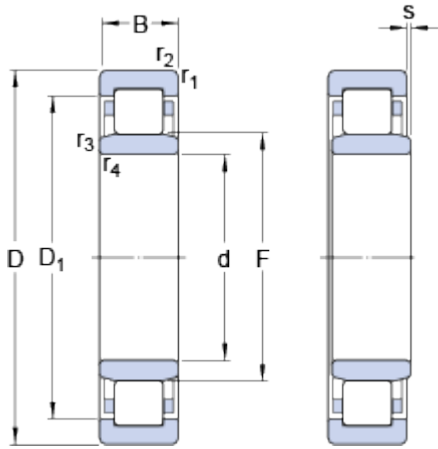


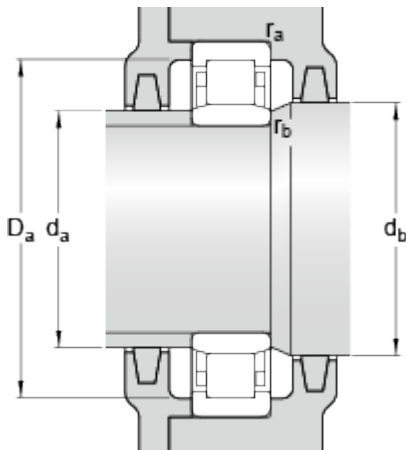
# NU 340 ECML

## Dimensions



d		200	mm
D		420	mm
B		80	mm
D <sub>1</sub>	≈	352.4	mm
F		258	mm
r <sub>1,2</sub>	min.	5	mm
r <sub>3,4</sub>	min.	5	mm
s		6	mm

## Abutment dimensions



d <sub>a</sub>	min.	220	mm
d <sub>a</sub>	max.	253	mm
d <sub>b</sub>	min.	262	mm
D <sub>a</sub>	max.	399.8	mm
r <sub>a</sub>	max.	4	mm
r <sub>b</sub>	max.	4	mm

## Calculation data

Basic dynamic load rating	C	1230	kN
Basic static load rating	C <sub>0</sub>	1630	kN
Fatigue load limit	P <sub>u</sub>	150	kN
Reference speed		1400	r/min
Limiting speed		2800	r/min
Calculation factor	k <sub>r</sub>	0.23	

## Mass

Mass bearing		57.2	kg
--------------	--	------	----